

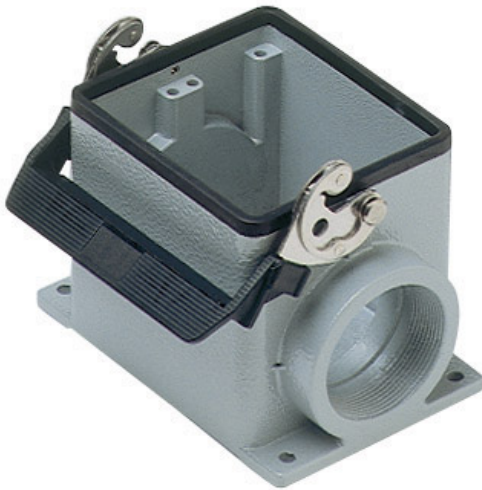
Part number

CHP 32 L42



Brief description:

surface mounting housings with single lever, size "77.62", Pg42, metal version, IP66



Product description

Version	metal version
Series	surface mounting housings with single lever
Product type	with 1 lever
Family	CLASS enclosures
Size	size "77.62"

Technical data

Material	metal
IP degree of protection	IP66 (and IP69K DIN 40050 - 9)
Cable entry	Pg42

Further technical details

Weight	690,00 g
---------------	----------

Approvals / Standards

Quality mark	 (type:4/4X/12),  , EAC
Conformity	CQC, CE

General ordering information

EAN13 code	8015747022842
Tariff number	85369095

Packaging Information

Packaging length	475,00 mm
Packaging height	200,00 mm
Packaging width	150,00 mm
Packaging weight	3,10 kg
Packaging volume	14,25 dm ³
Packaging description	Carton box
Packaging quantity	4 Pcs
Packaging EAN code	8015747211055
Sub-packaging length	116,00 mm
Sub-packaging height	113,00 mm
Sub-packaging width	142,00 mm
Sub-packaging weight	0,78 kg
Sub-packaging volume	1,86 dm ³
Sub-packaging description	Carton Box
Sub-packaging quantity	1 Pcs
Sub-packaging EAN barcode	8015747022859

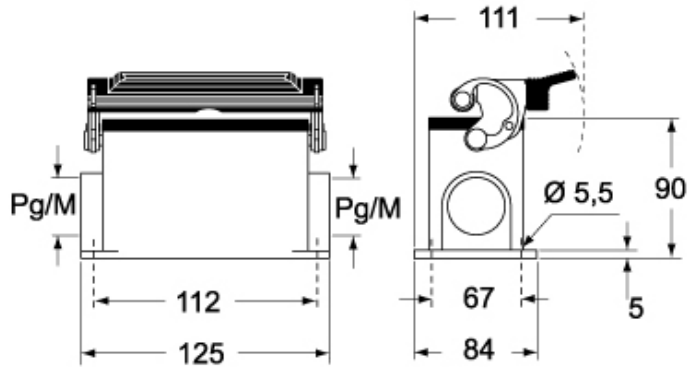
Part number

CHP 32 L42



Catalogue drawings

CHP L CAP L - MHP L MAP L



CHP LS CAP LS - MHP LS MAP LS

